

# Assembly Instructions

## 3 Section BEAM® Economy Screen on Casters

Cat. No. 153153

1. Remove all parts from the carton.
2. Assemble cross tubes to base tubes as shown in Figure #1 with the machine screws provided. Tighten all screws in place. If necessary, twist base frame so all 4 legs are touching floor. **Figure #1**
3. Insert casters into the caster sockets on the base assembly and press in place until all are fully seated. **Figure #1**
4. Place the base assembly on one side to provide support and guide the inside tube over the center hole. Use screw provided to secure in place. Repeat procedure for other side. Tighten each screw lightly. **Figure #2**
5. Stand the assembled screen frame right side up and fold the side frames in toward center as in **Figure #3**. Hold center tube square with base assembly and tighten screw firmly in place. Repeat for other side.
6. Guide the top half of the screen assembly over lower half with the hinges of both halves facing in the same direction. Lower top half assembly on to the lower half until the tubes bottom out. **Figure #4** It may be necessary to turn the entire screen upside down in order to insure all 3 screen panels are level.
7. Insert a screen rod into the top and bottom pockets of the screen panels. **Figure #5**
8. With the screen rods in place, attach a screen panel in each of the frame sections. **Figure #5**
9. The outer sections fold easily toward the center section. Your Economy Screen on casters is now ready for use!

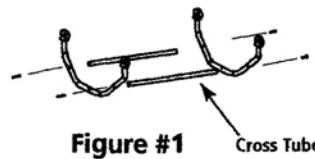


Figure #1

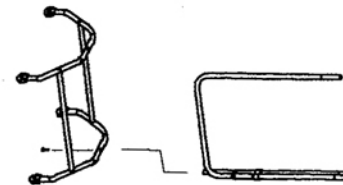


Figure #2

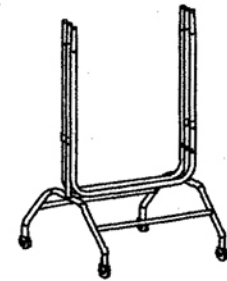


Figure #3

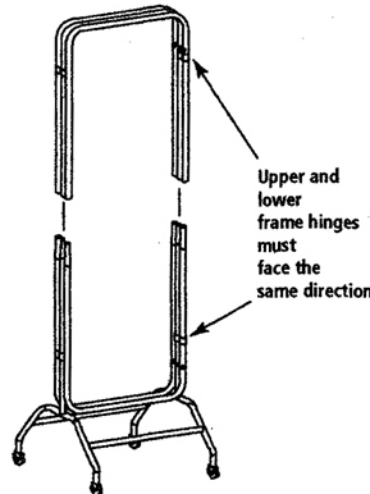


Figure #4

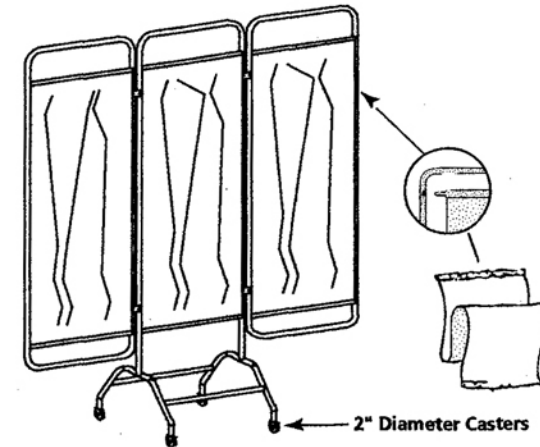


Figure #5

Note: Screen not designed to be used with only one panel open.

### Parts List



Top Half Screen Assembly



Bottom Half Screen Assembly



Screen Panel (3) Each



Screen Rod (6) each



Caster (4) each



Machine Screw (6) each



Base Frame (2) each



Cross Tube (2) each

MANUFACTURERS OF HBEAM® PRODUCTS  
**OMNIMED INC.®**

✉ 800 Glen Avenue, Moorestown, New Jersey 08057

☎ 1.800.257.BEAM (2326) • Local: 1.856.359.2231

☎ Fax: 1.856.359.2249 • E-mail: [info@omnimedbeam.com](mailto:info@omnimedbeam.com)

Visit our web page on the internet: [www.omnimedbeam.com](http://www.omnimedbeam.com)

Products to Help People...Help People