

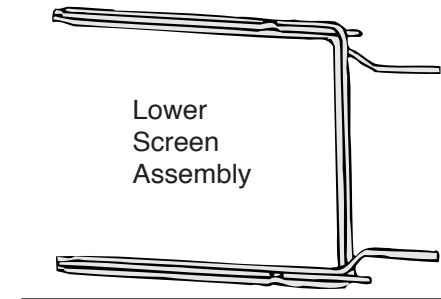
Assembly Instructions

3 Section BEAM® Economy Oversize Screen with Casters

Cat. No. 153253

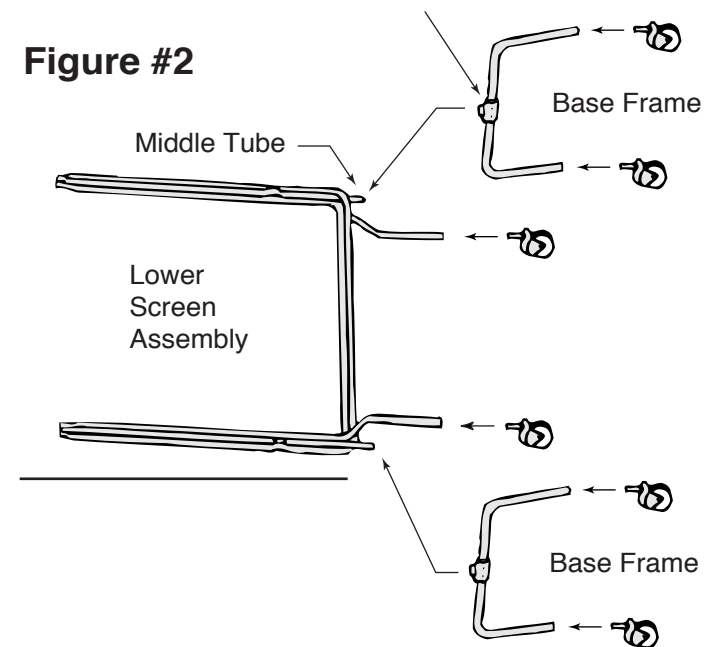
1. Lay the three piece lower screen assembly on it's side. See **Figure #1**
2. Position the base frame at the bottom of the lower screen assembly.
Insert the middle tube of the lower screen assembly into the "T" fitting of the base frame. Swivel base frame slightly until it seats firmly in place.
Figure #2 Fasten base to the lower screen assembly with the 2 machine screws, 4 flat washers and 2 lock nuts provided.
3. Repeat step 2 for the remaining base frame.
4. Insert casters into each leg of both base frames as shown in **Figure #2**
5. Stand the partially assembled screen unit upright.

Figure #1



2 Machine Screws
with washers and nuts

Figure #2



✉ 800 Glen Avenue, Moorestown, New Jersey 08057

☎ 1.800.257.BEAM (2326) • Local: 1.856.359.2231

✉ Fax: 1.856.359.2249 • E-mail: info@omnimedbeam.com

Visit our web page on the internet: www.omnimedbeam.com

Products to Help People...Help People

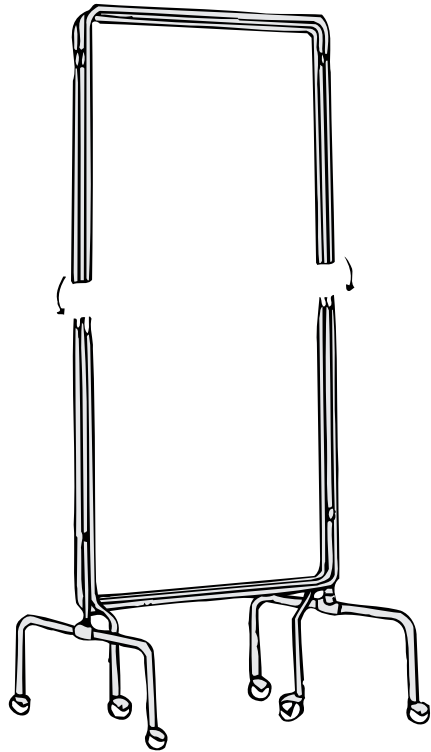


Figure #3

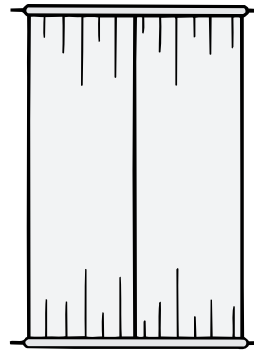


Figure #4

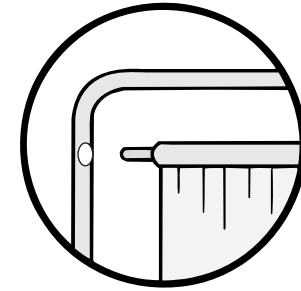


Figure #5

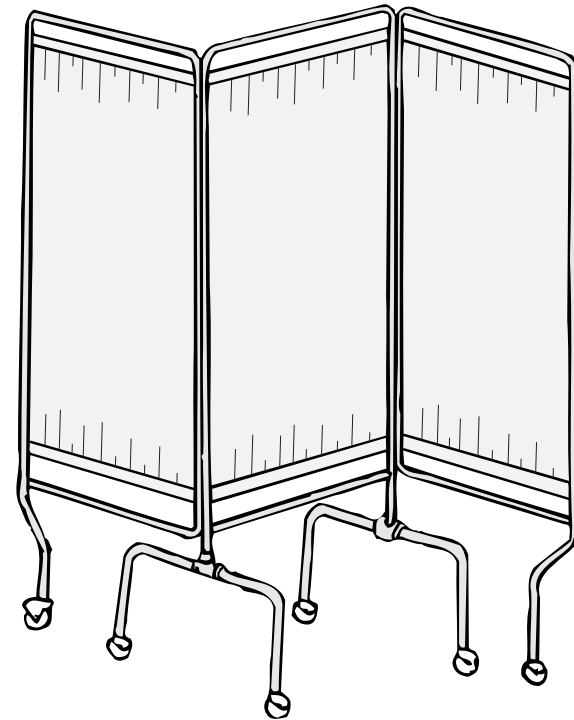


Figure #6

- 6.** Lower the three upper screen assembly onto the lower half of the screen assembly. **Figure #3**
- 7.** Slide the screen rod into the top and the bottom hems of two screen panels. **Figure #4**
- 8.** Hook all panel rods into the holes of the screen frame. **Figure #5**
- 9.** Position the panels for privacy as required. **Figure #6** Fold together for storage.