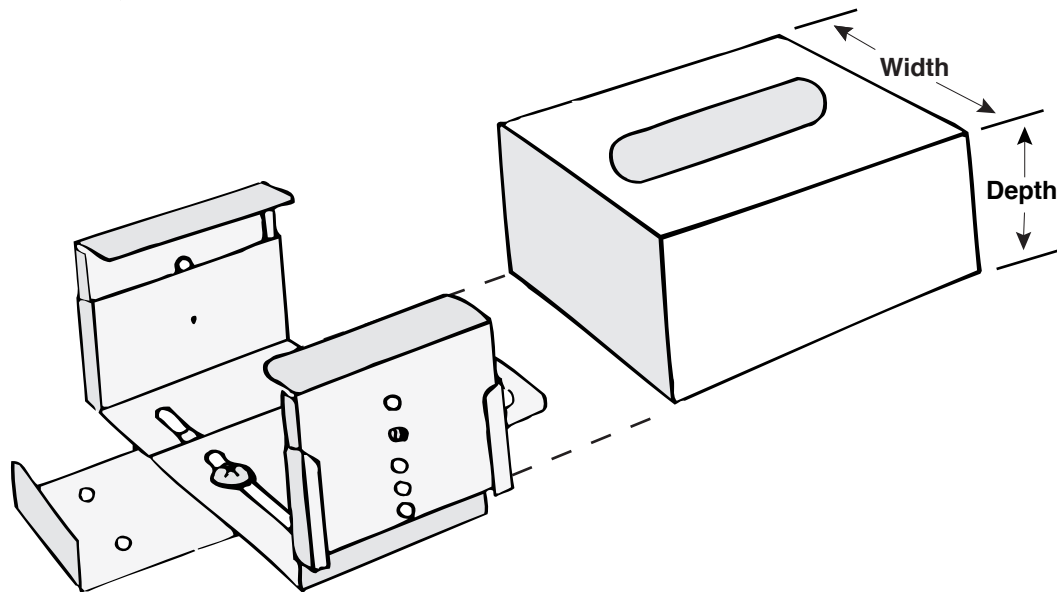


Instruction Sheet

Adjustable Glovebox Holder

Cat No. 305320



To Clean the Adjustable Glovebox Holder

The side panels may be easily removed. They are interchangeable for reassembly to either side of the Glovebox Holder.

Your Adjustable Glovebox Holder is Pre-Assembled.

It can be mounted vertically or horizontally using the four mounting holes in the backplate. (Mounting hardware not included)

To Adjust the Glovebox Holder for the Width of Your Glovebox

Loosen the screw in both slots and slide both halves of the Glovebox Holder in or out to the width of your Glovebox. Tighten the screws before inserting your Glovebox.

To Adjust the Glovebox Holder for the Depth of your Glovebox

Starting with one side of the Glovebox Holder and using the eraser end of a pencil or similar object, push in the snapbutton with one hand as you lift or lower the side panel to fit your Glovebox with your other hand. There are five positions from which to choose. Repeat adjustment with the opposite side.



- ✉ 800 Glen Avenue, Moorestown, New Jersey 08057
- ☎ 1.800.257.BEAM (2326) • Local: 1.856.359.2231
- ✉ Fax: 1.856.359.2249 • E-mail: info@omnimedbeam.com

Visit our web page on the internet: www.omnimedbeam.com

Products to Help People...Help People