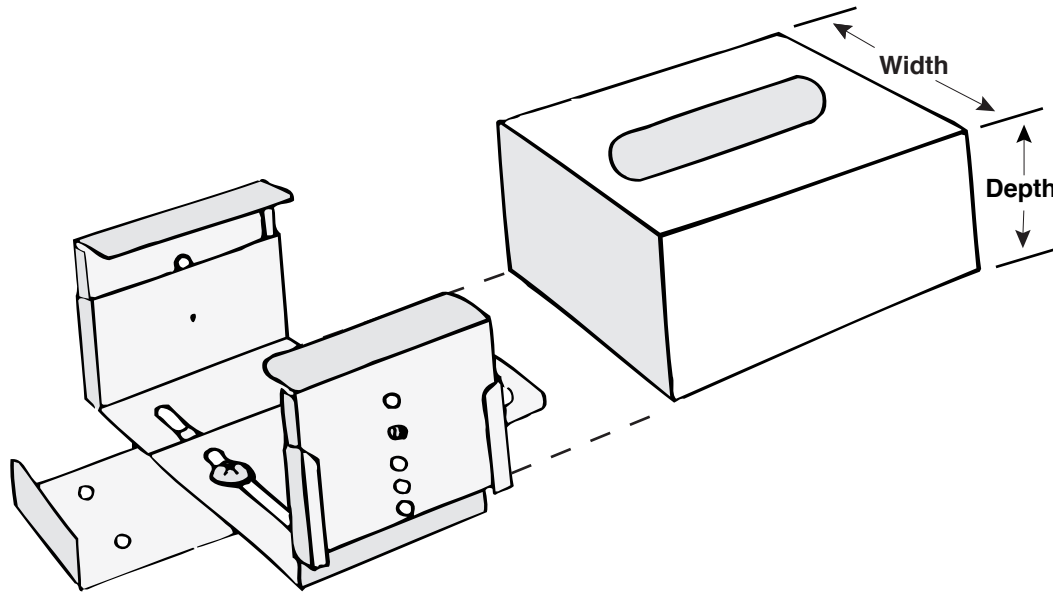


# Instruction Sheet

## Adjustable Mask Box Holder

Cat No. 900590



### To Clean the Adjustable Mask Box Holder

The side panels may be easily removed. They are interchangeable for reassembly to either side of the Mask Box Holder.

### Your Adjustable Mask Box Holder is Pre-Assembled.

It can be mounted vertically or horizontally using the four mounting holes in the backplate. (Mounting hardware not included)

### To Adjust the Mask Box Holder for the Width of Your Glovebox

Loosen the screw in both slots and slide both halves of the Mask Box Holder in or out to the width of your Mask Box. Tighten the screws before inserting your Glovebox.

### To Adjust the Mask Box Holder for the Depth of your Glovebox

Starting with one side of the Mask Box Holder and using the eraser end of a pencil or similar object, push in the snapbutton with one hand as you lift or lower the side panel to fit your Mask Box with your other hand. There are five positions from which to choose. Repeat adjustment with the opposite side.



- ✉ 800 Glen Avenue, Moorestown, New Jersey 08057
- ☎ 1.800.257.BEAM (2326) • Local: 1.856.359.2231
- ☎ Fax: 1.856.359.2249 • E-mail: [info@omnimedbeam.com](mailto:info@omnimedbeam.com)

Visit our web page on the internet: [www.omnimedbeam.com](http://www.omnimedbeam.com)

Products to Help People...Help People