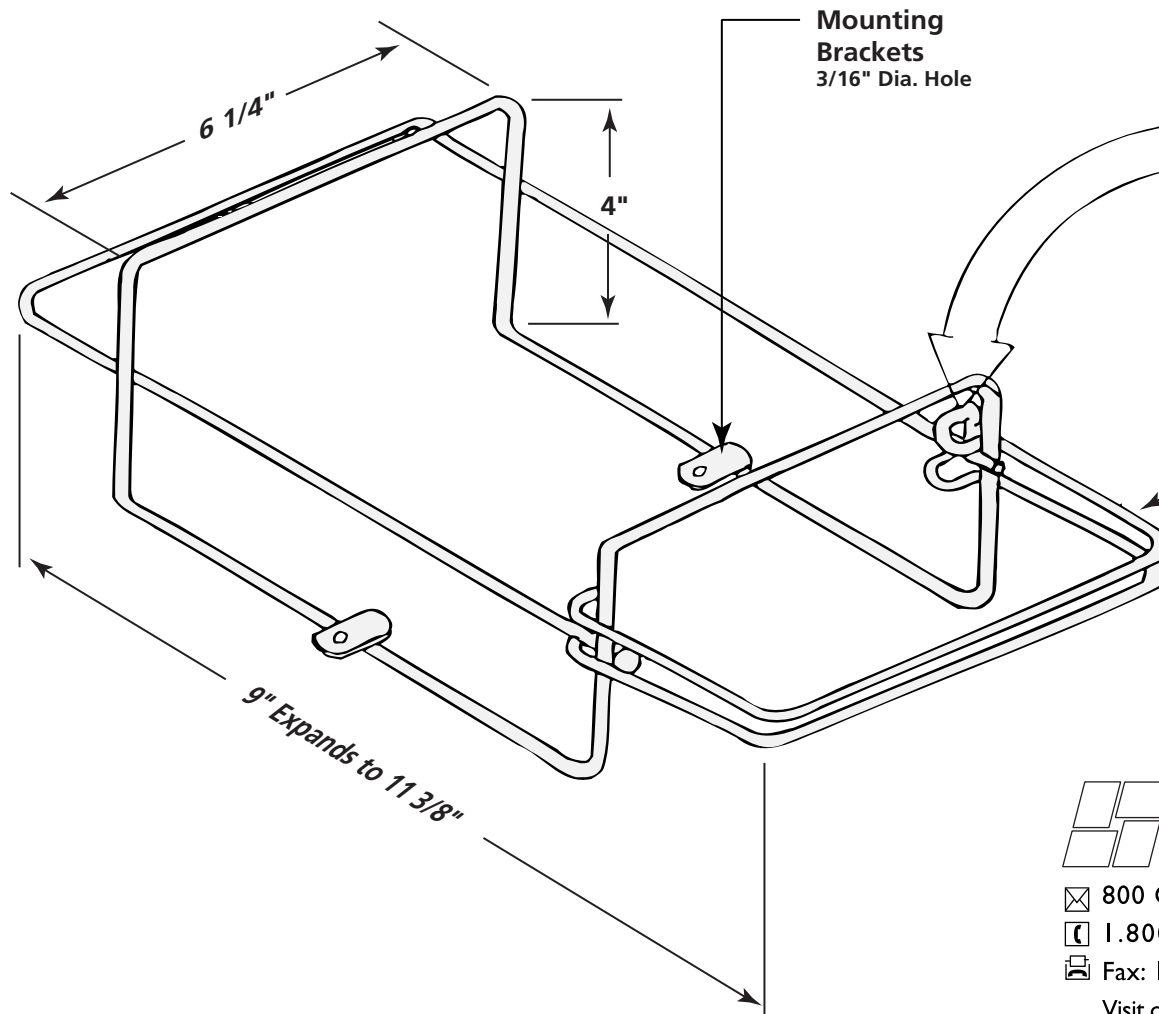
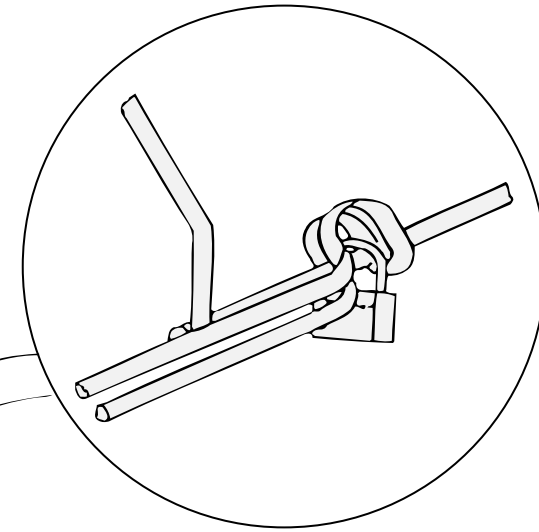


Economy Lockable Glove Box Holder

Cat. #305350



Mounting
Brackets
3/16" Dia. Hole



(Optional) Safety Control Lock
Cat. #484101

Slides back - forth for various
size Glove Boxes. Pivots open
for easy loading and unloading.



☒ 800 Glen Avenue, Moorestown, New Jersey 08057
☎ 1.800.257.BEAM (2326) • Local: 1.856.359.2231
☎ Fax: 1.856.359.2249 • E-mail: info@omnimedbeam.com

Visit our web page on the internet: www.omnimedbeam.com

Products to Help People...Help People