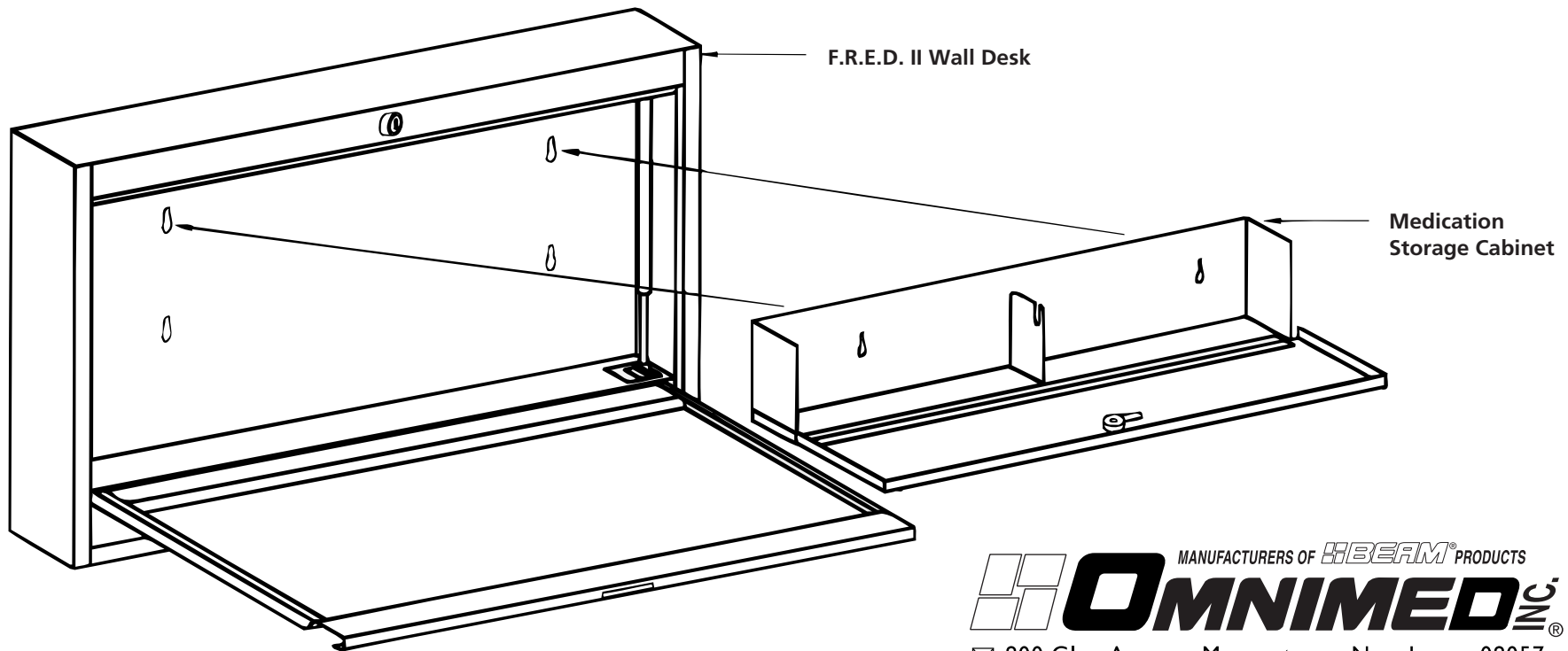


Instruction Sheet

Medication Storage Cabinet

Cat. No. 291573 & 291574

1. Using the (4) mounting holes in the back of the F.R.E.D. wall desk as a guide, mark the wall surface where the cabinet is to be mounted.
2. Pre-drill holes in wall surface
3. Use appropriate mounting hardware (not included) for the type of wall being used. Attach the wall desk to the wall. Turn screws in only half way at this time.
4. Guide the Medication Storage Cabinet in place as shown, lining up the keyhole shaped holes of the Medication Storage Cabinet with the keyhole shaped holes of the wall desk.
5. Tighten all mounting screws firmly in place.



Desk In Open Position

MANUFACTURERS OF **BEAM** PRODUCTS
OMNIMED INC.®

☒ 800 Glen Avenue, Moorestown, New Jersey 08057

☎ 1.800.257.BEAM (2326) • Local: 1.856.359.2231

☐ Fax: 1.856.359.2249 • E-mail: info@omnimedbeam.com

Visit our web page on the internet: www.omnimedbeam.com

Products to Help People...Help People