

Instruction Sheet

Twin Narcotic Cabinet

Cat. No. 181801, 181851, 181881

1. Invert each cabinet so the doors open in the direction that you want. (left hand or right hand operation) **Figure #1**
2. Position the cabinets next to each other. **Figure #2**
3. Remove the liner paper from the tape on the inside of the cap. Lower the cap onto the two "Twin" cabinets. Press firmly on top of the cap for good adhesion. **Figure #3**
4. Peel the liner paper from the backside of the Fascia Strip and press the strip firmly on the front of the cabinets, where they connect to each other. **Figure #3**
5. Lay cabinets down. Secure both cabinets together at bottom by tapping on the stainless steel sleeve provided. **Figure #4**
6. The Twin Cabinets are now ready to use or mount on a wall. **Figure #5**

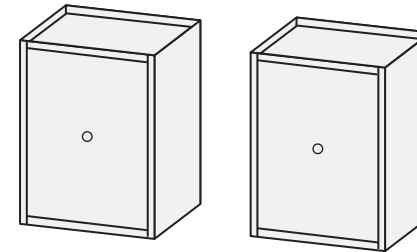


Figure #1

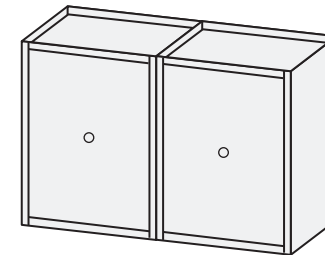


Figure #2

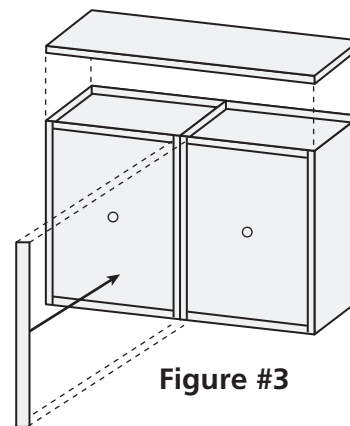


Figure #3

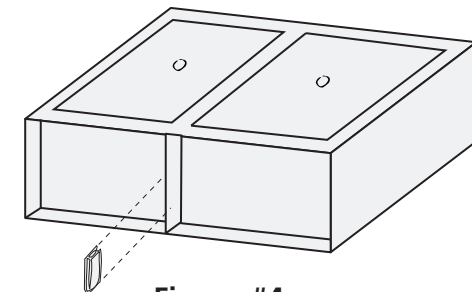


Figure #4

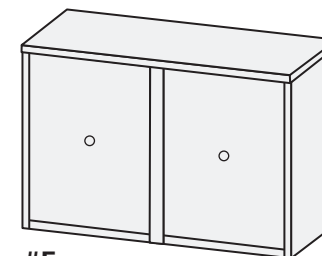


Figure #5



✉ 800 Glen Avenue, Moorestown, New Jersey 08057

☎ 1.800.257.BEAM (2326) • Local: 1.856.359.2231

✉ Fax: 1.856.359.2249 • E-mail: info@omnimedbeam.com

Visit our web page on the internet: www.omnimedbeam.com

Products to Help People...Help People