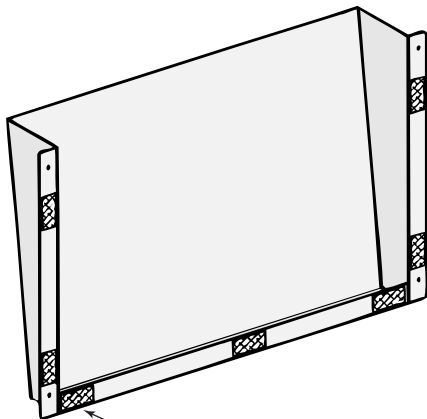


Mounting Instructions

Wall Pocket

Cat. No. 255713, 255714, 255715 & 255716



For tape mounting, attach the double face tape in areas shown.

Mounting Instructions

Attach wall pocket with the appropriate hardware for your application.
(hardware not included)

Tape Mounting

Mounting surface considered should be smooth and flat. Clean the back surface of both the wall pocket and mounting surface with isopropyl alcohol. Attach the tape tabs to the pocket back as shown, pressing each tab firmly in place. Remove the liner paper and attach the wall pocket to the wall or door surface. Press firmly over the taped areas. Product should be allowed to set up 24 hrs. before using.



✉ 800 Glen Avenue, Moorestown, New Jersey 08057

☎ 1.800.257.BEAM (2326) • Local: 1.856.359.2231

☎ Fax: 1.856.359.2249 • E-mail: info@omnimedbeam.com

Visit our web page on the internet: www.omnimedbeam.com

Products to Help People...Help People