



HBBEAM®

POWER LIFTER®

Automated I.V. Stand

Cat. No. 741314

OPERATOR'S M A N U A L

O p e r a t i o n & M a i n t e n a n c e I n s t r u c t i o n s

 **OMNIMED** INC.®
MANUFACTURERS OF HBBEAM® PRODUCTS

800 GLEN AVENUE, P.O. BOX 446
MOORESTOWN, NEW JERSEY 08057

1.800.257.BEAM (2326)

LOCAL: 1.856.321.1301

FAX: 1.856.359.2249

E-MAIL: info@omnimedbeam.com

WEB SITE: www.omnimedbeam.com

Raising the Standard of Care!

Table of Contents

Warranty	2
Hardware	2
Assembly Instructions	3, 4
Operation	5
Charging	5
Fuse Replacement	5
Maintenance	6
Trouble Shooting	6
Parts List	7
Wiring Diagram	8

Warranty

Omnimed® warrants the products described herein insofar as the same are of its own manufacture against defects in material and workmanship under normal use and service for a period of 6 months from date of purchase. Omnimed® shall not be held responsible for any difficulty, damages, or warranty infringement which in the opinion of Omnimed® have resulted from overloading, misuse, negligence, alteration, accident, or service that may arise from faulty installation. The obligation of Omnimed® under this warranty is limited to furnishing, repairing, or replacing (FOB factory) any part of its own manufacture proven to have been defective at the time of shipment, provided the purchaser has given Omnimed® immediate written notice upon discovery of the defect. Omnimed® shall have the option of requiring inspection of defective material (transportation prepaid) to establish the claim.

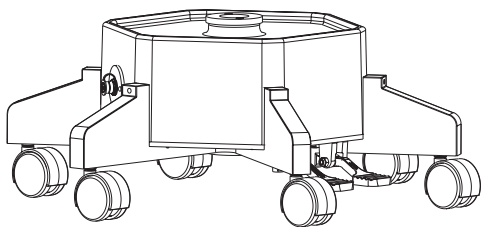
This warranty is the only warranty expressed or implied. Omnimed® neither assumes nor authorizes any other person to assume for it any obligation or liability. Omnimed® is not responsible nor liable for any consequential or contingent damages, and its liability is limited solely to the options hereinabove set forth.

Any component parts not of Omnimed®'s own manufacture carry only the warranty extended to Omnimed® by the respective suppliers or makers of such parts.

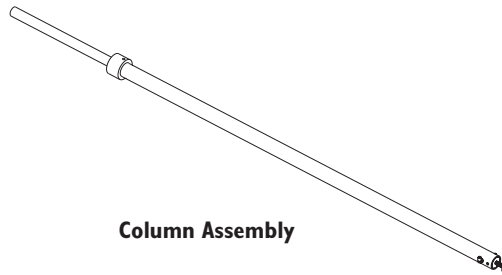
All prior agreements, oral or written, referring to the Power Lifter® are hereby canceled. The provisions in the specifications attached hereto are not intended as warranties.

Assembly Components

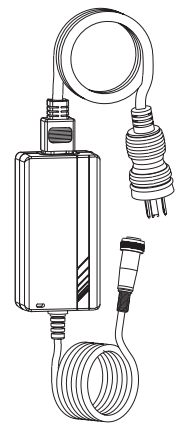
Unpack the two cartons and check carefully to determine that all of the above parts have been supplied.



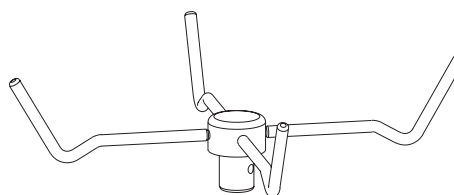
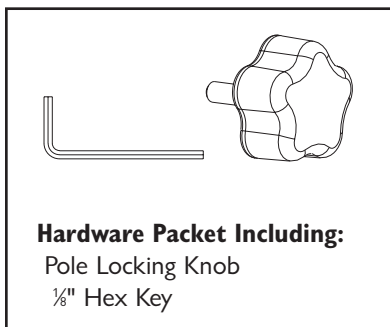
Base and Cover Assembly



Column Assembly

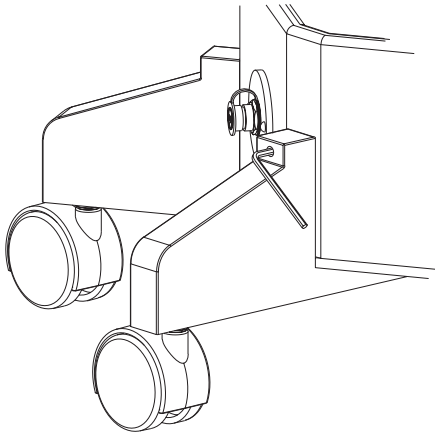


Battery Charger Assembly

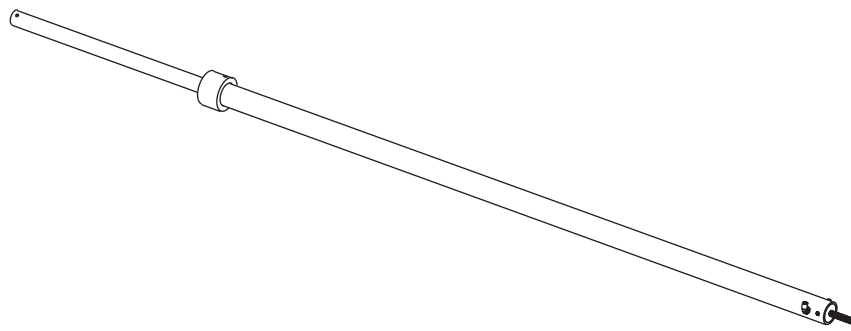
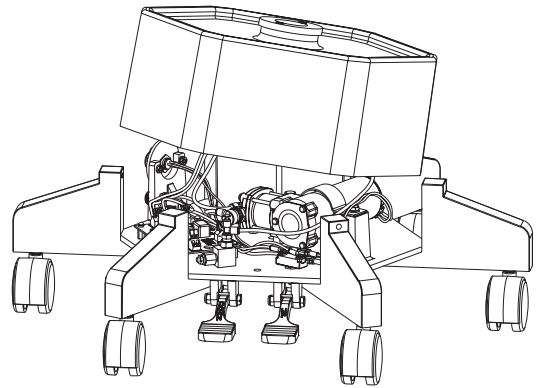


Hanger Assembly

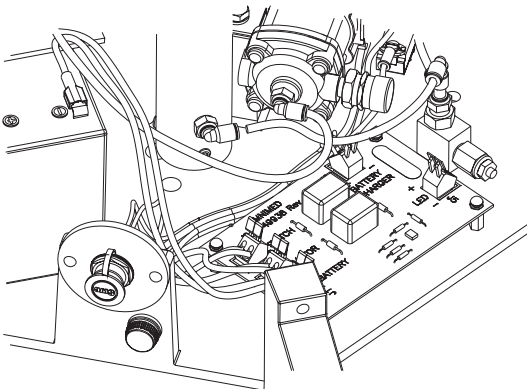
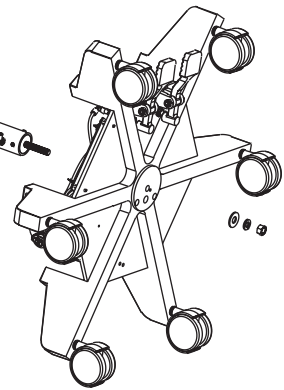
Assembly Instructions



1) Use the $\frac{1}{8}$ hex key to loosen the three set screws in the upper flanges of the base legs. Lift the cover from the Base and set it aside.

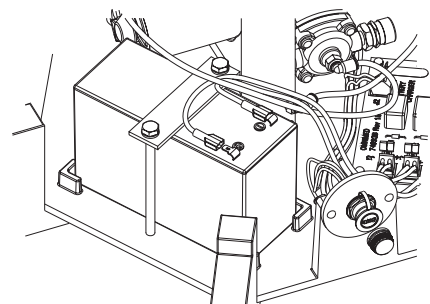


2) Remove the nut and washers from the base of the column. Insert the column stud through the hole in the center of the base, taking care not to pinch any wires or hoses. Rotate the column so that the caution label on the locking collar at the top of the column faces forward. Use the nut and washers to tighten the column securely to the base.



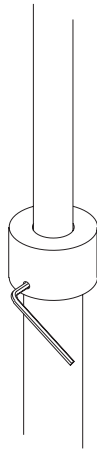
3) Attach the air hose to the pressure release valve by pushing it firmly into the connector.

4) Slide the connector from the red wire onto the positive (+) battery terminal.

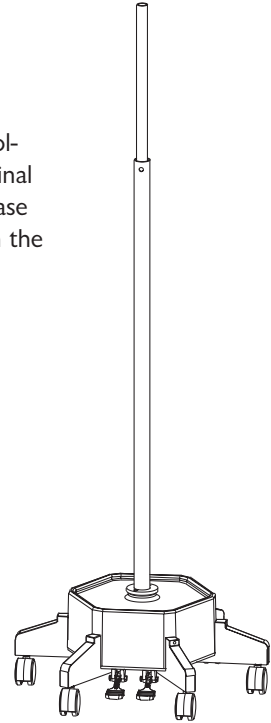


Assembly Instructions (continued)

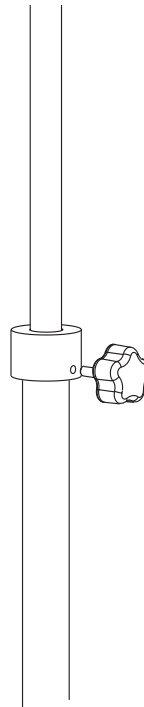
5) Loosen the setscrew in the rear of the locking collar. Remove the locking collar from the top of the column.



6) Slide the Cover over the column onto its original position on the base and secure it with the 3 setscrews.

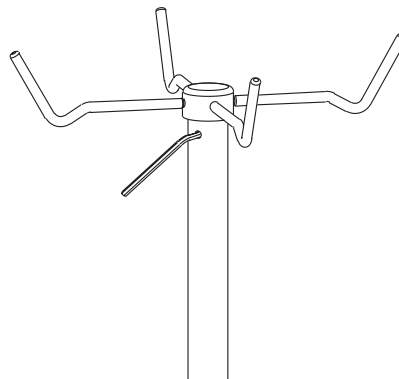


7) Return the locking collar to the top of the column and tighten the setscrew, being careful to align it with the recess in the column.



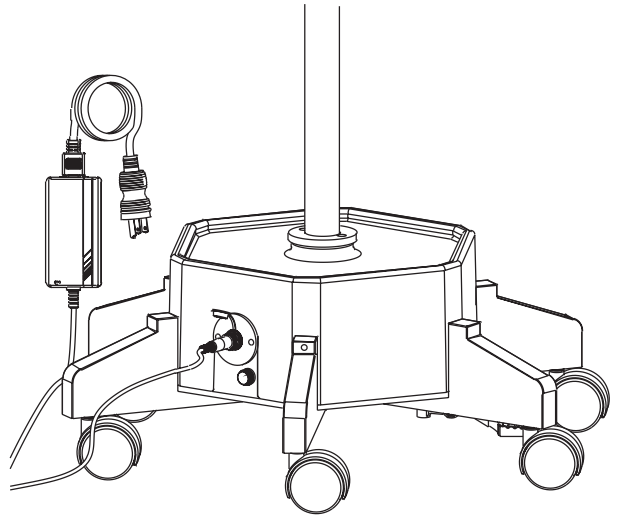
8) Thread the column locking knob into the front of the locking collar and tighten until snug.

9) Insert the hanger assembly into the top of the pole with the setscrew in the hanger shaft aligned with the hole in the pole. Insert the hex key through the hole and tighten the setscrew snugly.



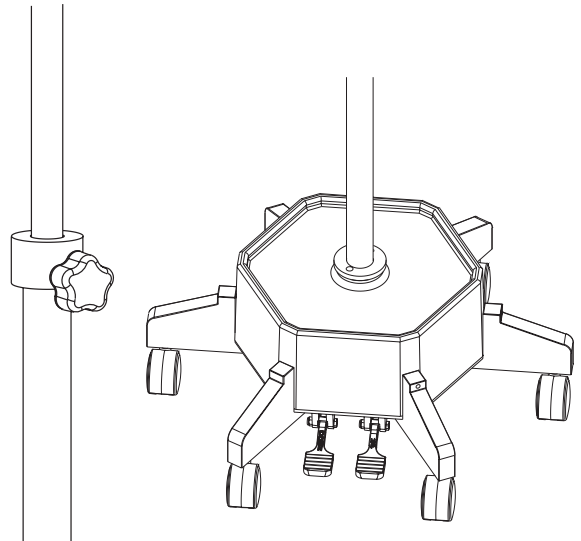
Charging

- 1) A daily overnight routine should be established for charging your Power Lifter®. The charger is UL 2601-1 approved for Medical Devices. To charge the unit, plug the charging into a 120 Volt AC wall outlet. The green indicator LED should light.
- 2) Locate the charging receptacle on the outside wall of the Power Lifter® base and lift the protective cover.
- 3) Align the flat surfaces on the plug and receptacle and insert the plug. Tighten the locking ring on the outside of the plug to ensure a good connection. When connected, the LED should turn amber. When the LED turns green the unit is fully charged.



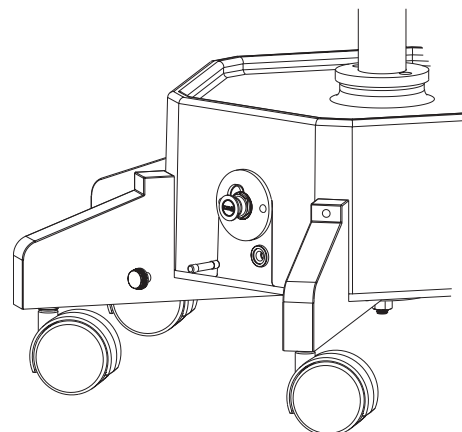
Operation

- 1) Prior to operating the Power Lifter®, be sure that the battery is fully charged. Instructions for recharging are listed above. Note that the unit will not operate when the battery charger is connected.
- 2) In order to raise or lower a load, the Pole Locking Knob must be loosened. Tighten the knob to maintain position of the pole once solution bags have been loaded and raised.
- 3) To raise a load, first make sure the locking knob has been loosened. Press the “UP” pedal until the load is at the proper level. After releasing the pedal, tighten the locking knob to lock the load in position.
- 4) To lower a load, depress the “DOWN” pedal for several seconds to release any excessive cylinder pressure. Then, loosen the locking knob. If necessary, depress the pedal to further lower the load.



Fuse Replacement

- 1) If your Power Lifter® fails to operate when charged, check the condition of the fuse. The fuse is located on the outside wall of the base. To remove the fuse, press in on the fuse holder knob and rotate it $\frac{1}{4}$ turn counter-clockwise. Pull the knob and fuse from the receptacle.
- 2) If the fuse element is broken, remove the fuse from the knob and replace it with a 10 amp, 32 Volt, Slo-Blo fuse.
- 3) Re-insert the fuse and knob into the receptacle, press inward, and rotate $\frac{1}{4}$ turn clockwise.



Maintenance

The Power Lifter® was designed to require only a minimal amount of periodic maintenance. The casters should be checked monthly to insure they rotate and pivot freely. Any defective caster should be replaced immediately. The Seal at the base of the pole should be cleaned and relubricated annually using Nevastane 5 or silicone spray following the instructions below:

- 1) Before starting to disassemble the unit, exhaust any compressed air from the chambers by depressing the "DOWN" pedal.
- 2) Remove the Hanger Assembly from the top of the pole. Insert a 1/8 hex key through the hole near the top of the pole and loosen the Hanger assembly setscrew. Pull the assembly upward and out of the pole.
- 3) Remove the Locking Collar and Knob. First, loosen the setscrew on the rear of the collar and the knob on its front. Lift the assembly up and over the inner column.
- 4) Pull the pole from the column with the "DOWN" pedal depressed. Note that the upper bushing will be pulled from the chamber with the pole assembly.
- 5) Wipe clean and relubricate the seal.
- 6) With the "DOWN" pedal depressed, reinsert the pole into the column, being careful not to damage the seal.
- 7) Press the Upper Pole Bushing flange flush with the top surface of the column.
- 8) Replace the Locking Collar and the Hanger Assemblies. Be careful to align the locking collar setscrew with the recess in the column.

Trouble Shooting

The Power Lifter® was designed to provide years of trouble-free operation with minimal maintenance. Should you encounter any difficulties, consult the list below for possible solutions.

Problem: Motor does not operate.

- 1) Check the fuse and if blown, replace as detailed in the operation instructions.
- 2) Check the battery voltage (12.2 Volts minimum) and recharge as detailed in the operating instructions.
- 3) Check the pump relay on the circuit board. The relay should operate with an audible click when the "Up" pedal is depressed.
- 4) Check that the safety interlock relay on the circuit board operates when the charger is plugged into the unit.

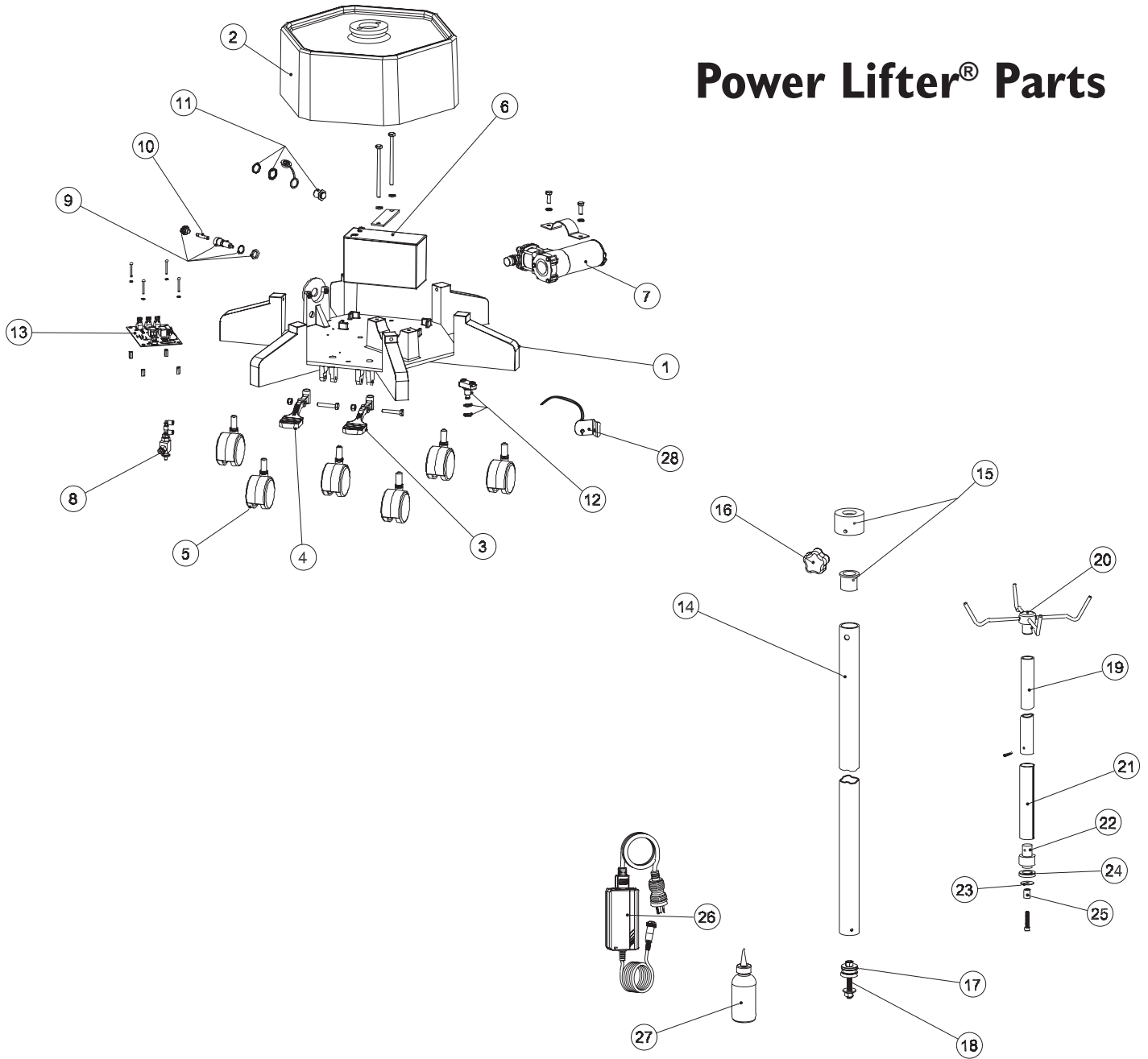
Problem: Motor operates but Column does not raise.

- 1) Check all hose connections for possible air leaks.

Problem: Pole does not lower.

- 1) Check hoses for any kinks.

Power Lifter® Parts



ITEM	PART NO.	DESCRIPTION
------	----------	-------------

1	741315-01	Base
2	7499324	Cover
3	741314-PU	"Up" Pedal
4	741314-PD	"Down" Pedal
5	741314-15	Caster (qty 6)
6	741314-25	Battery
7	741314-26	Pump/Motor Assy
8	741314-35	Pressure Release Valve Assy
9	741314-43	Fuse Holder
10	741314-40	Fuse, 10 Amp, 32 Volt Slo-Blo
11	741314-29	Charger Input Connector
12	741314-36	Foot Switch
13	741314-10	Circuit Board
14	741314-12	Column
15	741314-20	Locking Collar w/Bushing

ITEM	PART NO.	DESCRIPTION
------	----------	-------------

16	0299193	Locking Knob
17	741314-86	Outer Tube O-Ring
18	741314-67	Outer Tube Plug Assy
19	741314-13	Inner Pole
20	741314-18	Hanger Assembly
21	741314-95	Garolite Tube
22	7499298	Pole Bottom Plug
23	0299707	Cup Retainer Washer
24	741314-57	Buna Cup Seal (pkg 5)
25	0299709	Pole Height Sleeve
26	741314-28	Charger/Cord Assy (North America)
26	741314-28E	Charger/Cord Assy (European)
27	741314-14	Nevastane 5 Lubricant (Purchase Separately)
28	741318	Battery Indicator Kit (optional)

WIRING DIAGRAM

