



POWER LIFTER®

Automated Irrigation Stand

Cat. No. 741315

OPERATOR'S M A N U A L

O p e r a t i o n & M a i n t e n a n c e I n s t r u c t i o n s



800 GLEN AVENUE, P.O. BOX 446
MOORESTOWN, NEW JERSEY 08057

1.800.257.BEAM (2326)

LOCAL: 1.856.321.1301

FAX: 1.856.359.2249

E-MAIL: info@omnimedbeam.com

WEB SITE: www.omnimedbeam.com

Raising the Standard of Care!

Table of Contents

Warranty	2
Hardware	2
Assembly Instructions	3, 4
Operation	5
Charging	5
Fuse Replacement	5
Maintenance	6
Trouble Shooting	6
Parts List	7
Wiring Diagram	8

Warranty

Omnimed® warrants the products described herein insofar as the same are of its own manufacture against defects in material and workmanship under normal use and service for a period of 6 months from date of purchase. Omnimed® shall not be held responsible for any difficulty, damages, or warranty infringement which in the opinion of Omnimed® have resulted from overloading, misuse, negligence, alteration, accident, or service that may arise from faulty installation. The obligation of Omnimed® under this warranty is limited to furnishing, repairing, or replacing (FOB factory) any part of its own manufacture proven to have been defective at the time of shipment, provided the purchaser has given Omnimed® immediate written notice upon discovery of the defect. Omnimed® shall have the option of requiring inspection of defective material (transportation prepaid) to establish the claim.

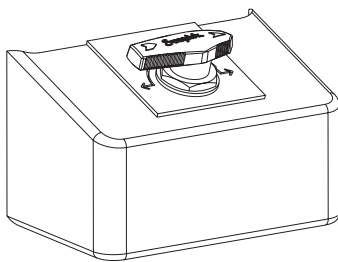
This warranty is the only warranty expressed or implied. Omnimed® neither assumes nor authorizes any other person to assume for it any obligation or liability. Omnimed® is not responsible nor liable for any consequential or contingent damages, and its liability is limited solely to the options hereinabove set forth.

Any component parts not of Omnimed®'s own manufacture carry only the warranty extended to Omnimed® by the respective suppliers or makers of such parts.

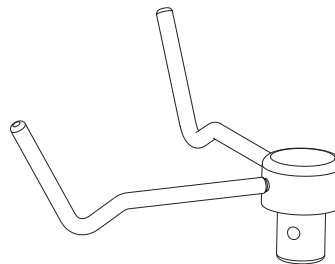
All prior agreements, oral or written, referring to the Power Lifter® II are hereby canceled. The provisions in the specifications attached here to are not intended as warranties.

Assembly Components

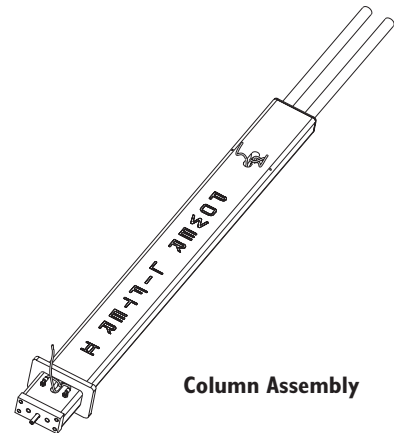
Unpack the two cartons and check carefully to determine that all of the above parts have been supplied.



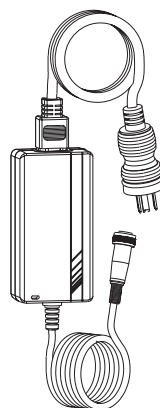
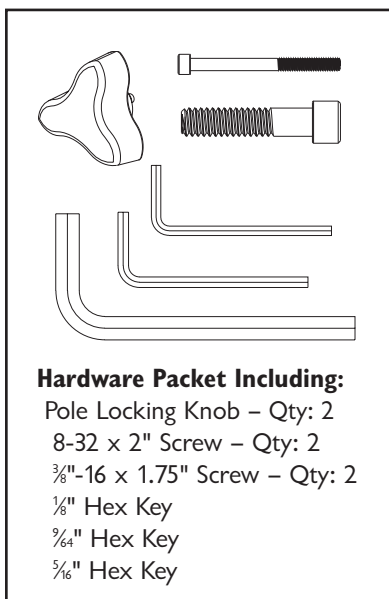
Control Box



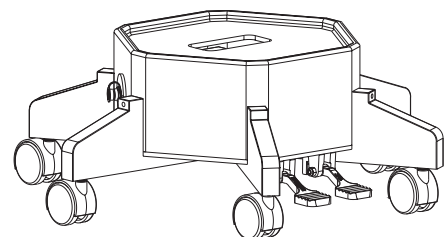
Hanger Assembly
(qty 2)



Column Assembly

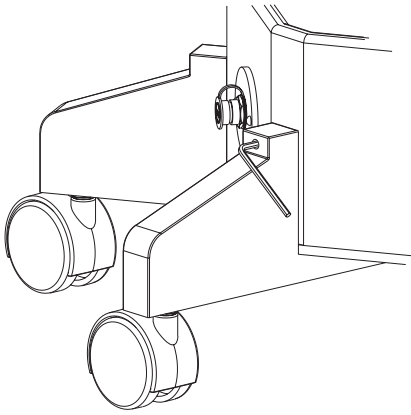


Battery Charger Assembly

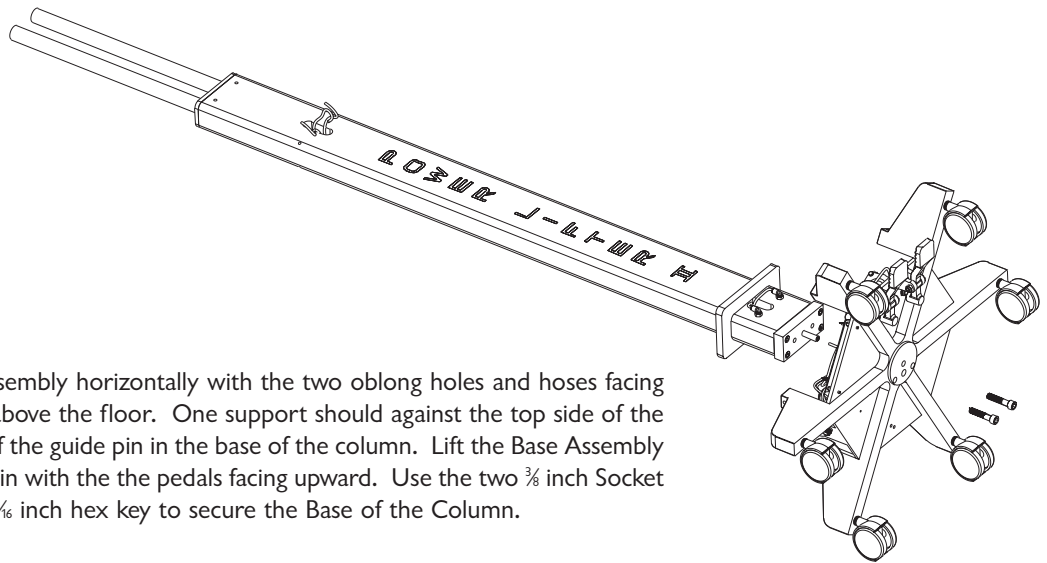
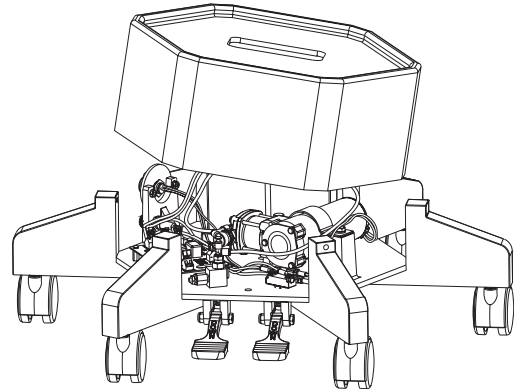


Base and Cover Assembly

Assembly Instructions

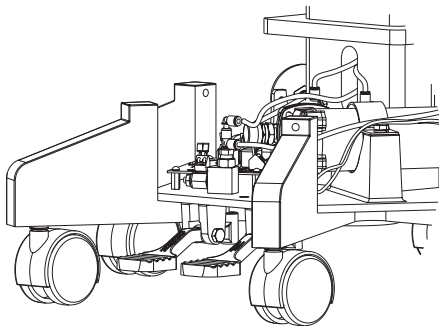


1) Use the $\frac{1}{8}$ hex key to loosen the three set screws in the upper flanges of the base legs. Lift the cover from the Base and set it aside.



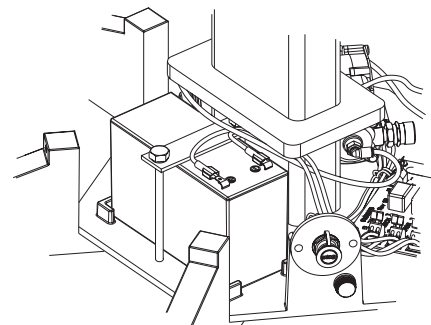
2) Support the Column Assembly horizontally with the two oblong holes and hoses facing upward, at least 10 inches above the floor. One support should be against the top side of the column flange. Take note of the guide pin in the base of the column. Lift the Base Assembly and slide it onto the guide pin with the pedals facing upward. Use the two $\frac{3}{8}$ inch Socket Head Cap Screws and the $\frac{3}{16}$ inch hex key to secure the Base of the Column.

3) Carefully lift the assembly and stand it upright.



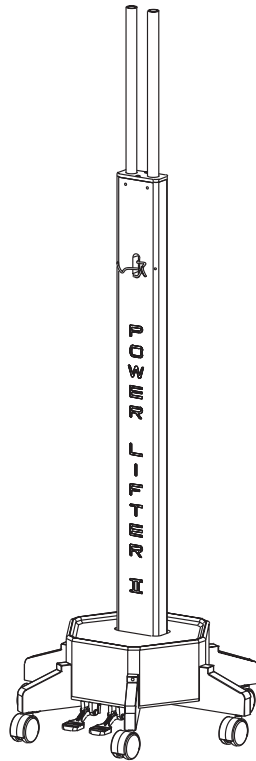
4) Attach the white air hose to the pressure release valve by pushing it firmly into the connector.

5) Slide the connector from the red wire onto the positive (+) battery terminal.

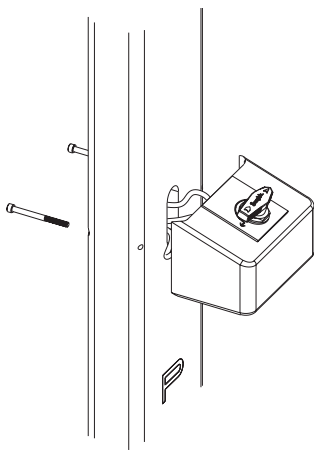
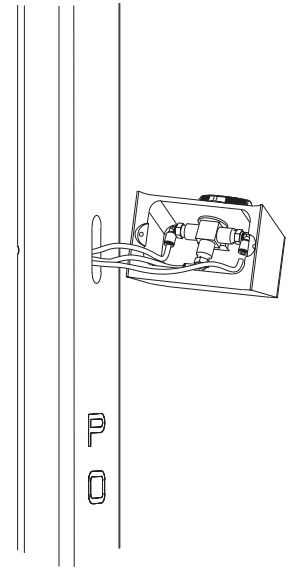


Assembly Instructions (continued)

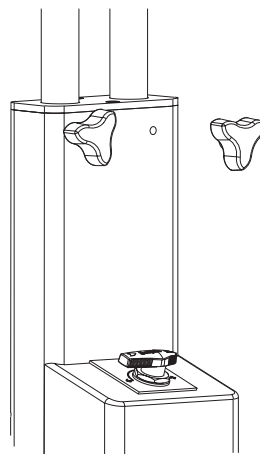
6) Slide the Cover over the Column onto its original position on the base and secure it with the 3 setscrews. Take care not to pinch the hoses while guiding the cover down the column.



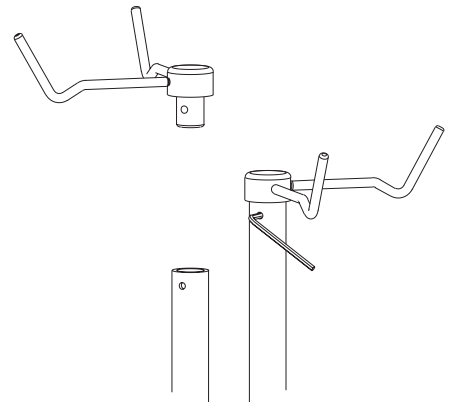
7) Attach the 3 hoses from the Column Assembly to the color-coded connectors in the Column Switch Valve inside the Control Box.



8) Attach the Control Box to the face of the Column using the two 8-32 x 2 inch Socket Head Cap Screws and the $\frac{3}{64}$ Hex Key.



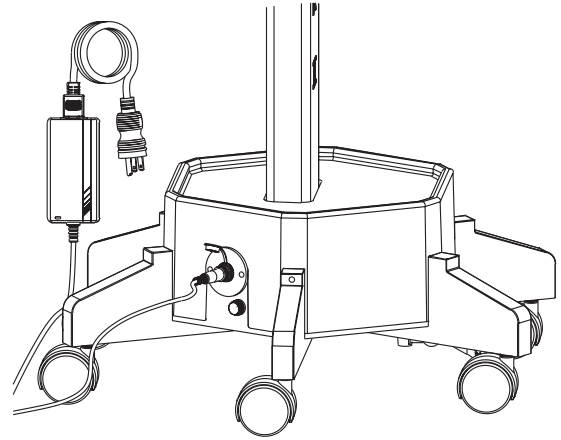
9) Thread the two Pole Locking Knobs into the holes near the top of the Column and tighten until snug.



10) Insert a Hanger Assembly into the top of each pole with hooks outward. Align the setscrew in the hanger shaft with the hole in the column. Insert the $\frac{1}{8}$ hex key through the hole and tighten the setscrew snugly.

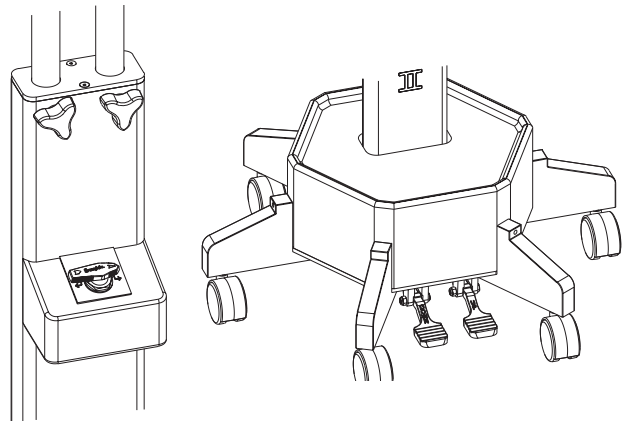
Charging

- 1) A daily overnight routine should be established for charging your Power Lifter® II. The charger is UL 2601-1 approved for Medical Devices. To charge the unit, plug the charging into a 120 Volt AC wall outlet. The green indicator LED should light.
- 2) Locate the charging receptacle on the outside wall of the Power Lifter® II base and lift the protective cover.
- 3) Align the flat surfaces on the plug and receptacle and insert the plug. Tighten the locking ring on the outside of the plug to ensure a good connection. When connected, the LED should turn amber. When the LED turns green the unit is fully charged.



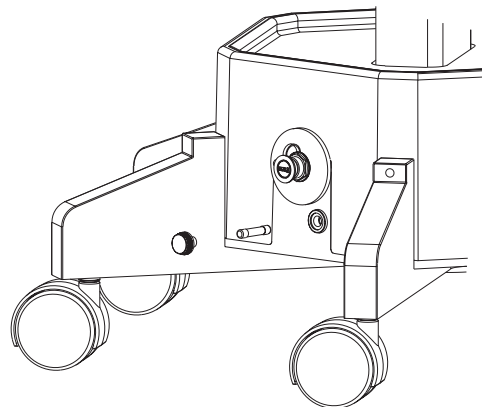
Operation

- 1) Prior to operating the Power Lifter® II, be sure that the battery is fully charged. Instructions for recharging are listed above. Note that the unit will not operate when the battery charger is connected.
- 2) In order to raise or lower a load, the Pole Locking Knob must be loosened. Tighten the knob to maintain position of the pole once solution bags have been loaded and raised.
- 3) To raise a load, turn the switch on the control station so that its arrow points to the side to be operated. Make sure the locking knob for that side has been loosened. Press the "UP" pedal until the load is at the proper level. After releasing the pedal, tighten the locking knob to lock the load in position.
- 4) To lower a load, turn the switch on the control station to the proper side. Depress the "DOWN" pedal for several seconds to release any excessive cylinder pressure. Then, loosen the locking knob. If necessary, depress pedal to further lower the load.



Fuse Replacement

- 1) If your Power Lifter® II fails to operate when charged, check the condition of the fuse. The fuse is located on the outside wall of the base. To remove the fuse, press in on the fuse holder knob and rotate it ¼ turn counter-clockwise. Pull the knob and fuse from the receptacle.
- 2) If the fuse element is broken, remove the fuse from the knob and replace it with a 10 amp, 32 Volt, Slo-Blo fuse.
- 3) Re-insert the fuse and knob into the receptacle, press inward, and rotate ¼ turn clockwise.



Maintenance

The Power Lifter® II was designed to require only a minimal amount of periodic maintenance. The casters should be checked monthly to insure they rotate and pivot freely. Any defective caster should be replaced immediately. The Seal at the base of each pole should be cleaned and relubricated annually using Nevastane 5 or silicone spray following the instructions below:

- 1) Before starting to disassemble the unit, exhaust any compressed air from the chambers by turning the pole selection switch to each side while depressing the "Down" pedal.
 - 2) Remove the Hanger Assembly from the top of each pole. Insert a 1/8 hex key through the hole at the top rear of each pole and loosen its Hanger Assembly setscrew. Pull the assembly upward and out of the pole.
 - 3) Remove the top plate using a 3/32 hex key to remove the countersunk screws.
 - 4) Loosen each Pole Locking Knob one full turn.
 - 5) Locate the pole alignment setscrews on the rear of the column, near the top. Using a 1/8 hex key, disengage each setscrew by rotating 2 full turns counter clockwise.
 - 6) Pull each pole from its chamber with the selector switch turned to that side and the "Down" pedal depressed. Note that the upper pole bushing will be pulled from the chamber with the pole assembly.
 - 7) Wipe clean and relubricate the seals and wear bands.
 - 8) With the selector switch turned to its side and the "Down" pedal depressed, reinsert each pole into its chamber, being careful not to damage the seal. Keep the column alignment slot facing the rear.
 - 9) Press the Upper Pole Bushing into the column, aligning the hole in the side wall with the set screw.
 - 10) Carefully turn the column setscrews inward while rotating the column back and forth to align the setscrew tip and the column alignment slot. Once the setscrew tip prevents the pole from rotating, thread it inward one full turn.
- II) Replace the Column Top Plate and the Hanger Assemblies.

Trouble Shooting

The Power Lifter® II is designed to provide years of trouble-free operation with minimal maintenance. Should you encounter any difficulties, consult the list below for possible solutions.

Problem: Motor does not operate.

- 1) Check the fuse and if blown, replace as detailed in the operation instructions.
- 2) Check the battery voltage (12.2 Volts minimum) and recharge as detailed in the operating instructions.
- 3) Check the pump relay on the circuit board. The relay should operate with an audible click when the "Up" pedal is depressed.
- 4) Check that the safety interlock relay on the circuit board operates when the charger is plugged into the unit.

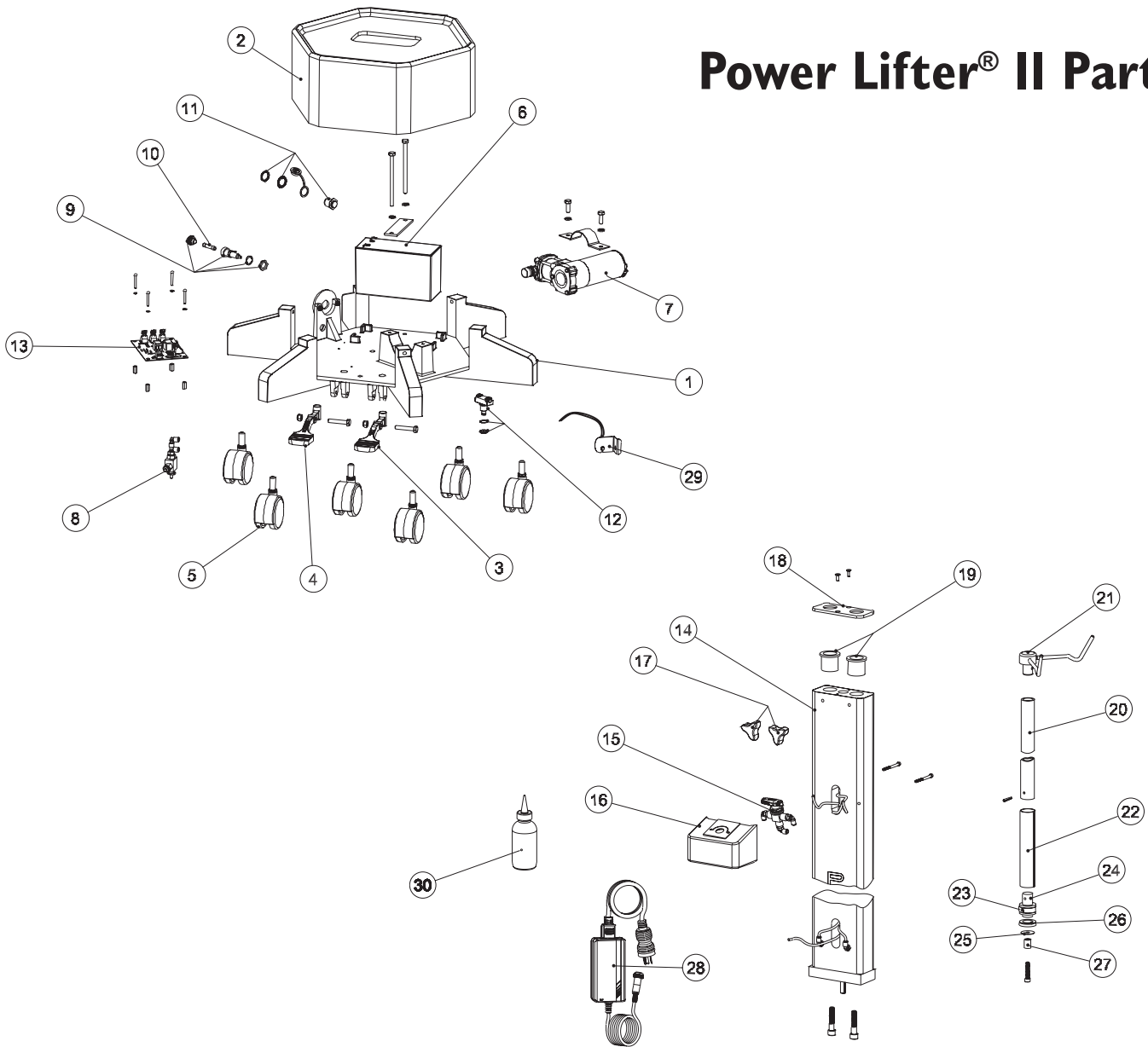
Problem: Motor operates but Column does not raise.

- 1) Check all hose connections for possible air leaks.
- 2) Check that the pole selection switch is rotated completely toward one of the poles.

Problem: Pole does not lower.

- 1) Check pole selection switch location as noted above.
- 2) Check hoses for any kinks both in the base and in the control box.

Power Lifter® II Parts



ITEM	PART NO.	DESCRIPTION
1	741315-01	Base
2	741315-C	Cover
3	741314-PU	"Up" Pedal
4	741314-PD	"Down" Pedal
5	741314-15	Caster (qty 6)
6	741314-25	Battery
7	741314-26	Pump/Motor Assy
8	741314-35	Pressure Release Valve Assy
9	741314-43	Fuse Holder
10	741314-40	Fuse, 10 Amp, 32 Volt Slo-Blo
11	741314-29	Charger Input Connector
12	741314-36	Foot Switch
13	741314-10	Circuit Board
14	7499319	Column
15	7499302	Chamber Switch Assembly
16	7499301	Control Box

ITEM	PART NO.	DESCRIPTION
17	7499305	Pole Locking Knob
18	7499320	Pole Top Plate
19	741315-21	Pole Bushing
20	7499310	Pole
21	7499321	Hanger Assembly
22	741314-95	Garolite Tube
23	7499326	Wear Band
24	7499299	Pole Bottom Plug
25	0299707	Cup Retainer Washer
26	741314-57	Buna Cup Pole Seal (pkg 5)
27	0299709	Pole Height Sleeve
28	741314-28	Charger/Cord Assy (North America)
	741314-28E	Charger/Cord Assy (European)
29	741318	Battery Indicator Kit (optional)
30	741314-14	Nevastane 5 Lubricant (Purchase Separately)

WIRING DIAGRAM

