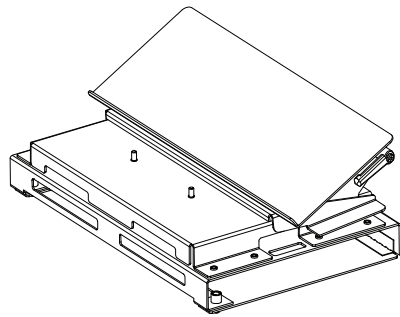
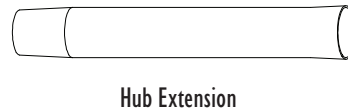
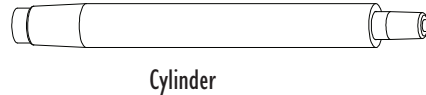
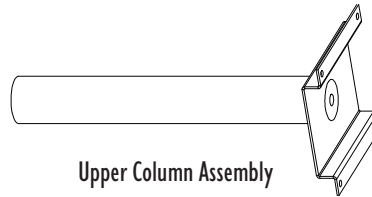
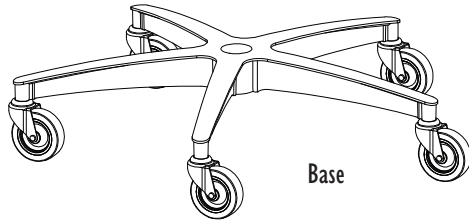
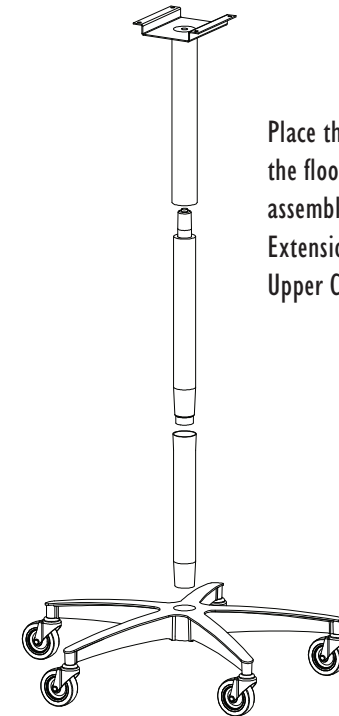
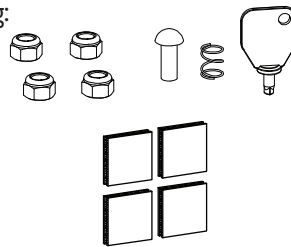


# Instruction Sheet

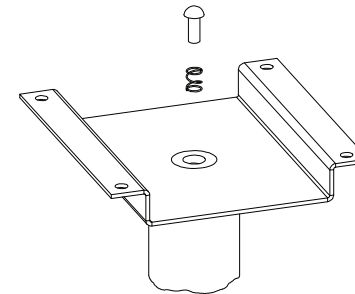
## Security Laptop Stand #350306



Small Parts Kit Including:  
1/4-20 Nut Qty: 4  
Plunger - Qty: 1  
Spring - Qty: 1  
Security Key - Qty: 1  
Dual Lock - Qty: 4



Place the Base on the floor and assemble the Hub Extension, Cylinder and Upper Column Assembly



Place the Spring and Plunger into the recess in the top of the Upper Column Assembly

Unpack the cartons and check carefully to determine that all of the above components have been supplied. Note that a 7/16" wrench is required for assembly.

MANUFACTURERS OF **IBEAM** PRODUCTS  
**OMNIMED** INC.®

800 Glen Avenue • Moorestown, N.J. 08057

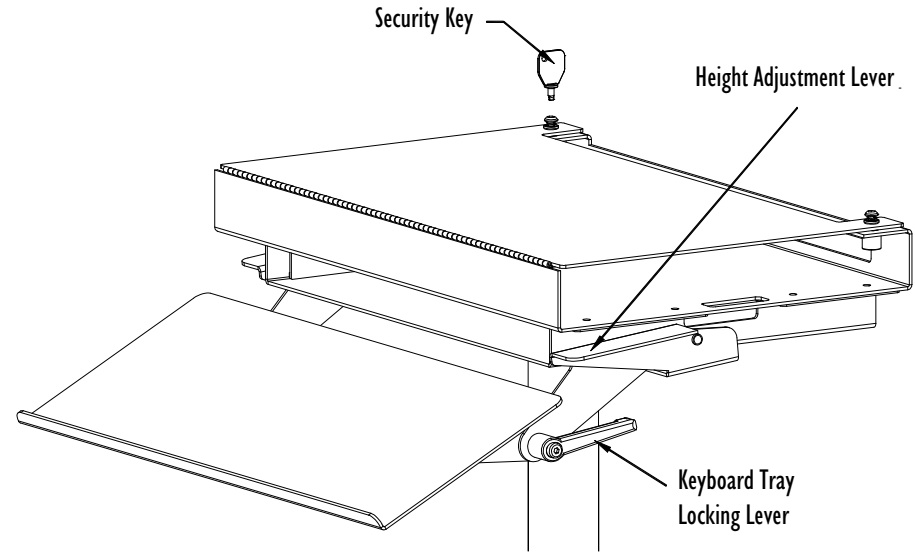
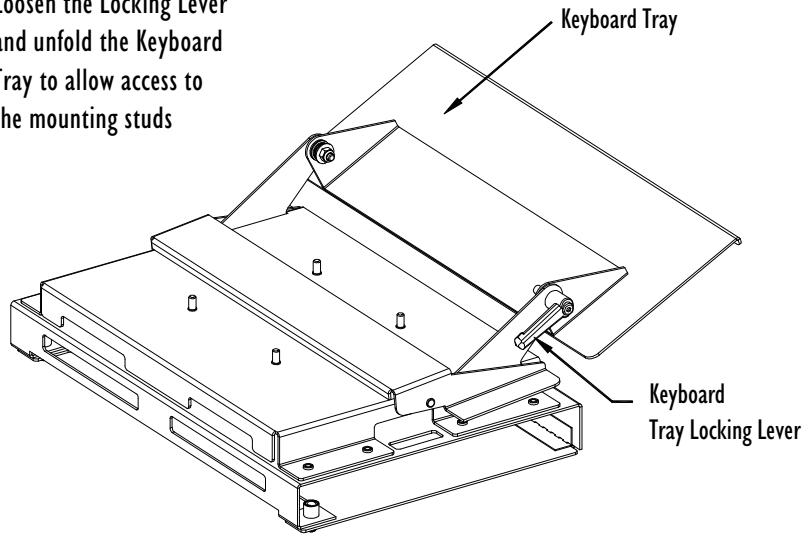
800.257.2326 • FAX: 856.359.2249

[www.omnimedbeam.com](http://www.omnimedbeam.com)

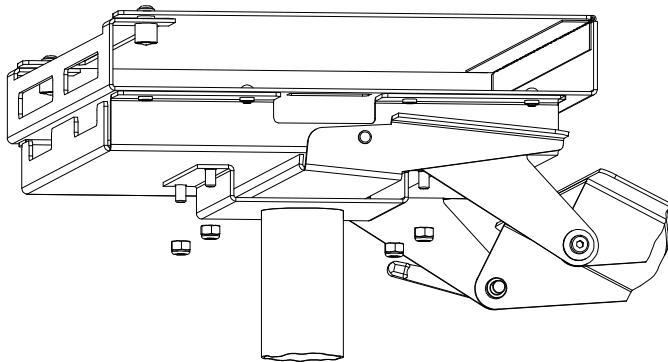
# Instruction Sheet

## Security Laptop Stand #350306 (Keyboard Tray)

Loosen the Locking Lever and unfold the Keyboard Tray to allow access to the mounting studs



To open the cover and insert your computer, use the Security Key to turn the fasteners 1/4 turn counter-clockwise. The fastener should pop up to give a visible indication that it is unlocked. To refasten, use the key to push the fastener back into its socket and turn clockwise until locked.



Place the Housing/Keyboard Tray Assembly onto the Upper Column Assembly. Thread the nuts onto the mounting a 7/16" wrench

MANUFACTURERS OF **IBEAM**® PRODUCTS  
**OMNIMED** INC.®  
800 Glen Avenue • Moorestown, N.J. 08057  
800.257.2326 • FAX: 856.359.2249  
[www.omnimedbeam.com](http://www.omnimedbeam.com)