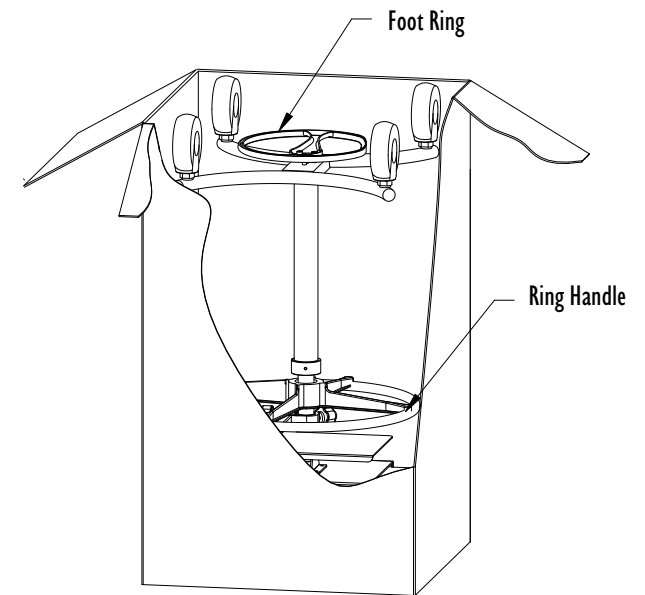
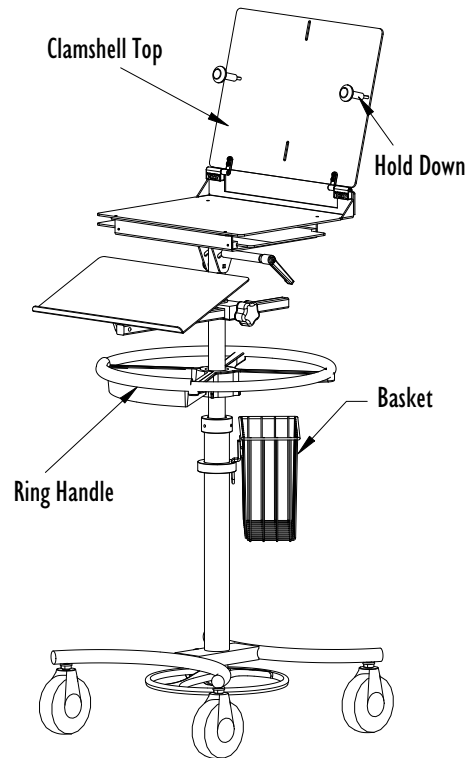


# Instruction Sheet

## Omni Transport Cart #35070TT

- 1) Unwrap the padding from the cart legs, ring handle, etc.
- 2) Remove the utility tray from the basket. The hardware bag enclosed should contain:  
(4) Dual Lock mounting tape and security hex key wrench.
- 3) Place the utility tray into desired quadrant of the ring handle.
- 4) Place the basket hook into the slot in the basket collar.
- 5) Open the clamshell top and use the provided security hex key to loosen the hold downs. Slide them outward to make room for the computer.
- 6) Wipe the bottom surface of laptop computer and inside area of clamshell top with isopropyl alcohol.
- 7) Remove the backing from one side of each of the Dual Lock tape sets. Attach each to an appropriate location on the bottom of the computer.
- 8) Remove the backing from the other side of the Dual Lock, position the computer on the clamshell top and press it firmly into place. Note the location of the hold downs to insure that they won't interfere with access ports.
- 9) Slide the hold downs inward and tighten them with the security hex key wrench to secure the computer.
- 10) To raise height of cart, depress foot pedal and release at desired height. To lower, grasp ring handle with both hands and depress foot ring. Repeat as needed.
- 11) Adjust keyboard tray by loosening knobs and setting at desired location.
- 12) To tilt clamshell, loosen lever and adjust as needed. Tighten to secure.



MANUFACTURERS OF **IBeam** PRODUCTS  
**OMNIMED INC.**

800 Glen Avenue • Moorestown, N.J. 08057

800.257.2326 • FAX: 856.359.2249

[www.omnimedbeam.com](http://www.omnimedbeam.com)