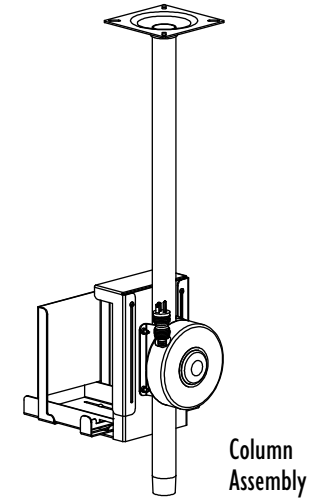
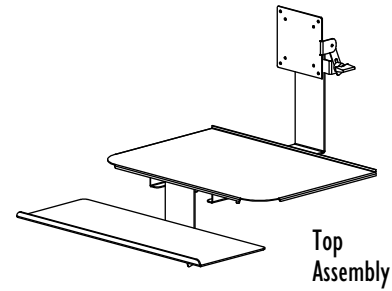
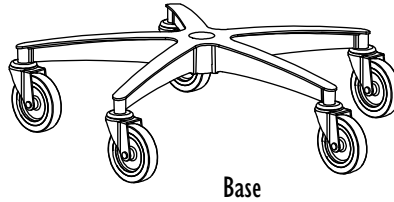
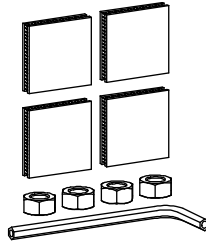


# Instruction Sheet

## ERGO Computer Transport Stand #350714

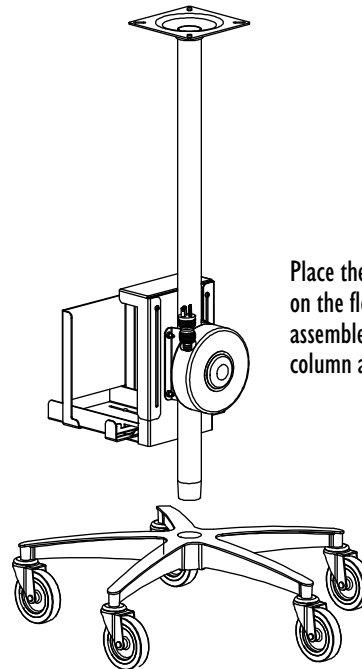
### Hardware Kit

Dual Lock Set #2999452  
1/4-20 Nut (4x) #0299310  
Security Wrench #0299495

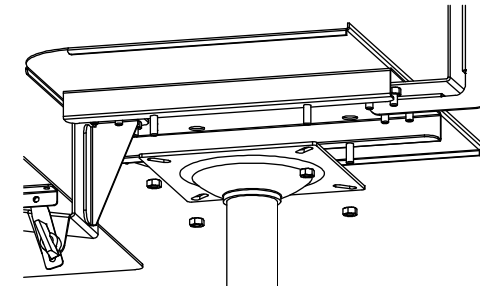


Unpack the cartons and check carefully to determine that all of the components have been supplied. Note that a 7/16" wrench and a phillips head screwdriver are required for assembly.

Use the screws provided with your monitor to attach it to the monitor plate. The dual lock provided in the Hardware kit can be used to fasten the keyboard to the keyboard tray.



Place the base on the floor and assemble the column assembly



Place the Top Assembly on top of the Column Assembly and fasten in place with the provided nuts.

MANUFACTURERS OF **IBeam** PRODUCTS  
**OMNIMED** INC.®

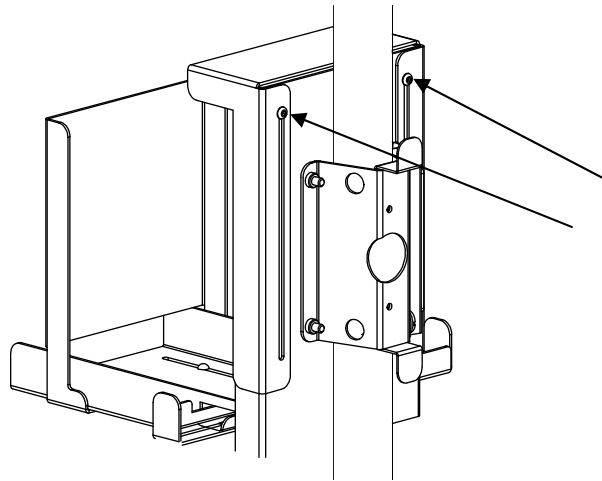
800 Glen Avenue • Moorestown, N.J. 08057

800.257.2326 • FAX: 856.359.2249

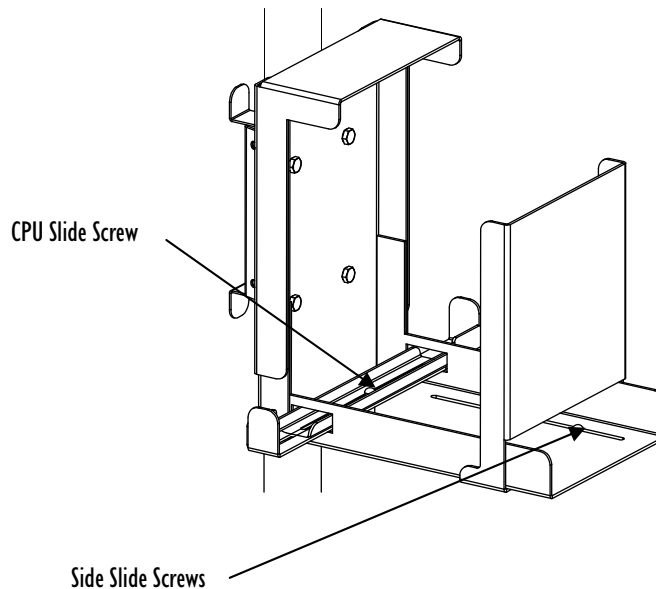
[www.omnimedbeam.com](http://www.omnimedbeam.com)

# Instruction Sheet

## CPU Holder - ERGO Computer Transport Stand



Use the provided security screw wrench to loosen the Top Cover of the CPU Holder



CPU Slide Screw

Side Slide Screws

Remove the CPU Slide screw and insert the CPU slides into the base as shown with the smaller on top. Reinsert the screw loosely. Loosen the screws holding the side slide in place. Place your CPU on the base and position the slides closely around it. Remove the CPU and tighten the slide screws. Replace the CPU and secure it in by retightening the Top Cover.

Your Transport Stand is now fully assembled and ready for use.

MANUFACTURERS OF **i-BEAM**® PRODUCTS  
**OMNIMED** INC.®

800 Glen Avenue • Moorestown, N.J. 08057

800.257.2326 • FAX: 856.359.2249

[www.omnimedbeam.com](http://www.omnimedbeam.com)