

Instruction Sheet

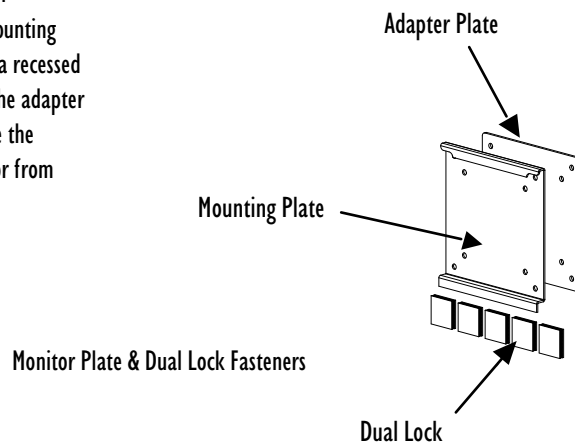
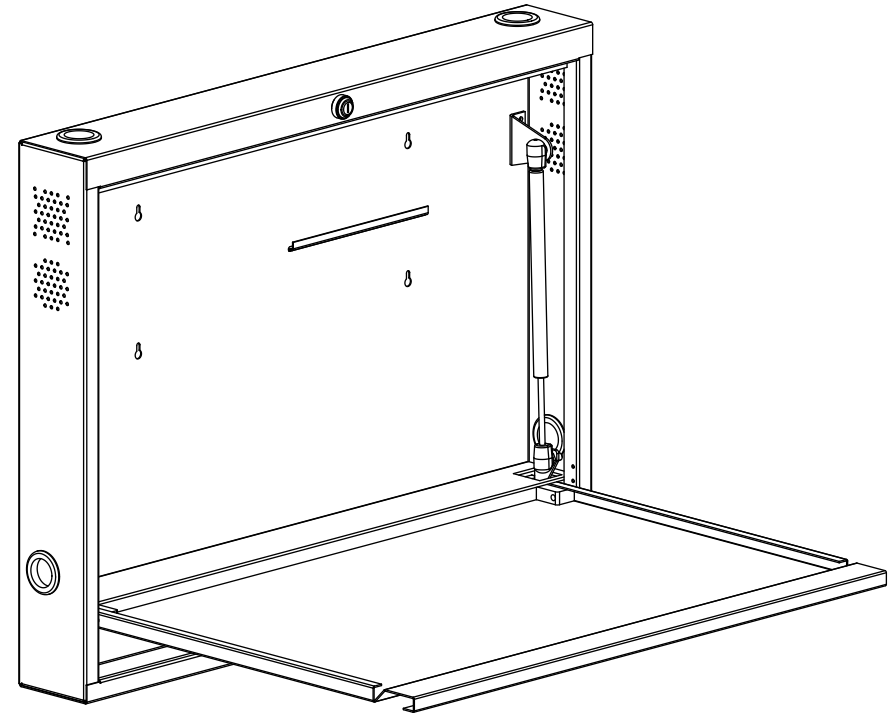
Compact Informatics Wall Desk #291512

1) To begin installation of your wall desk use the provided key to open the door. Use the four keyhole slots in the rear and appropriate hardware (not provided) to fasten the cabinet securely to wall studs.

2) Remove the monitor mounting plate and the Dual Lock reclosable fastening strips.

3) Position your CPU on the shelf at the bottom. Remove the adhesive backing from both sides of one of the dual lock strips and use the strip to secure the CPU to the rear wall. Remove the adhesive backing from the other four loose strips and use them to fasten the keyboard to the door.

4) Use the screws provided to attach your monitor to the mounting plate with the mounting hook facing downward. If the monitor has a recessed mounting surface you may need to attach the adapter plate between it and the monitor plate. Use the mounting plate's hook to hang your monitor from the monitor ledge.



MANUFACTURERS OF **IBeam**® PRODUCTS
OMNIMED INC.®
800 Glen Avenue • Moorestown, N.J. 08057
800.257.2326 • FAX: 856.359.2249
www.omnimedbeam.com